

Features

- Eight Flexjet® hydromassage jets can be individually adjusted for water flow and direction.
- Built-in heater.
- Comfort Depth® design offers a convenient 19" step-over height while retaining the same depth as a standard 21" bath.
- Spacious design accommodates up to two bathers.
- Integral lumbar support.
- Coordinates with other products in the Memoirs collection.

Material

- Acrylic.

Technology

- Whirlpool jets recirculate water, providing targeted relief for the bather.

Installation

- Drop-in.
- Center rear drain.

Required Products/Accessories

K-9698 Flexjet® Whirlpool Trim Kit

or

K-7265 Brass toe tap bath drain

K-9698 Flexjet® Whirlpool Trim Kit

Recommended Products/Accessories

K-1491 Bath/Whirlpool Pillow

K-1601 Bath/whirlpool footstop, removable

K-24916 Wireless Music Kit

K-9497 2-1/2" Keypad Trim

K-7161-AF 1-1/2" adjustable pop-up drain above- or through-floor



Codes/Standards

ASME A112.19.7/CSA B45.10

CSA B45.5/IAPMO Z124

ASTM E162

ASTM E662

UL 1795

CSA C22.2 No. 218.2




KOHLER® Hydrotherapy Components Five-Year Limited Warranty KOHLER® Plastic Baths and Receptors Lifetime Limited Warranty

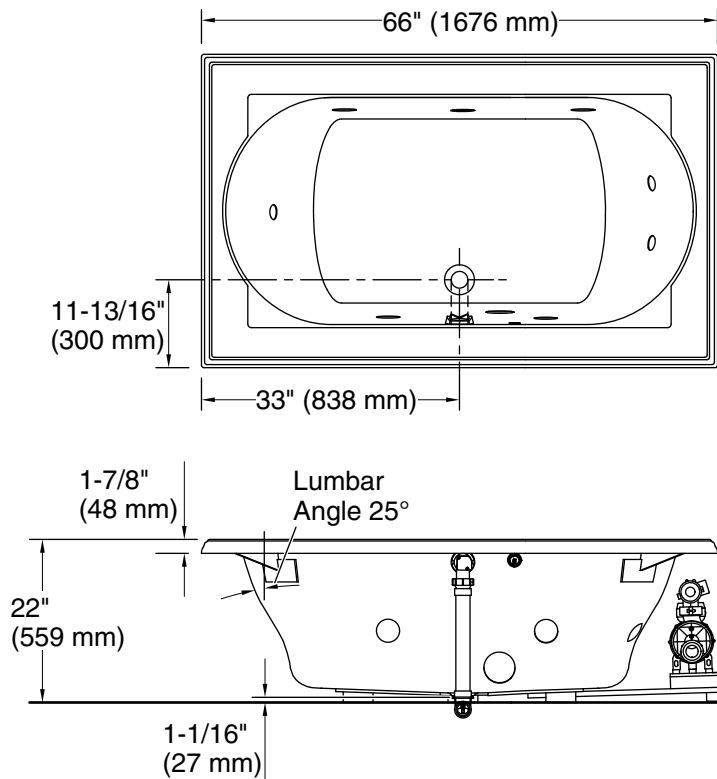
See website for detailed warranty information.

Available Colors/Finishes

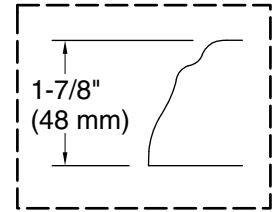
Color tiles intended for reference only.

Color	Code	Description
-------	------	-------------

	0	White
	96	Biscuit
	NY	Dune

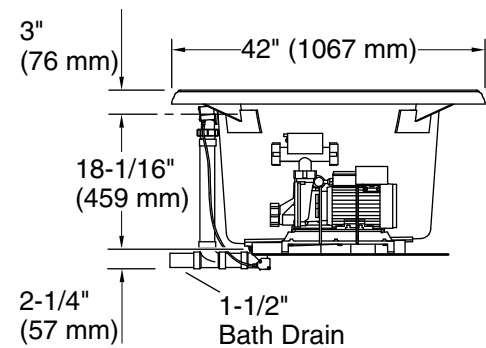


No change in measurements if connected with drain illustrated. (K-7161-AF)



Drop-in Rim Detail

Blower Control Access
 20" (508 mm) W x 15" (381 mm) H



Required Electrical Service

Two dedicated circuits required.

Pump: 120 V, 15 A, 60 Hz

Heater: 120 V, 15 A, 60 Hz

Technical Information

All product dimensions are nominal.

Installation: Drop-in

Basin area, bottom: 42" x 27" (1067 mm x 686 mm)

Basin area, top: 54" x 30" (1372 mm x 762 mm)

Weight: 129 lbs (58.5 kg)

Minimum floor load: 44 lbs/ft² (214.8 kg/m²)

Water depth: 16" (406 mm)

Water capacity: 81 gal (306.6 L)

Electrical component rating: Pump: 120 V, 7 A, 60 Hz

Heater: 120 V, 12 A, 60 Hz

Notes

Measure your actual product for rough-in details.

Install this product according to the installation instructions.

The hot water supply should be 70% of the capacity of the bath or greater. Installations will vary.